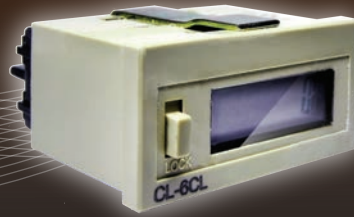


CL-6CL

Electronic Counter



Specifications

Model	CL-6CL
Display Panel	6 Digit LCD display
Counting Speed	10 per second
Input Signal	Dry contact input
Power Supply	Internal battery
Zeroing Method	Slide up to unlock then push button
Operating Temperature	0~40°C
Panel Cutout	22.5 x 45 mm
Dimensions (W x H x D)	48 x 50 x 24 mm
Lifespan	More than 6 years
Weight	60 grams

Ordering Code

Ordering Code	Description
CL-6CL	Electronic Counter

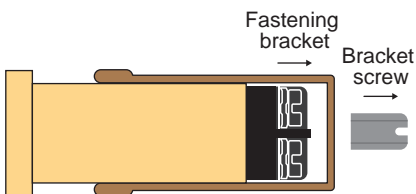
Installation

Steps 1 Make a cutout in the panel given these dimensions.

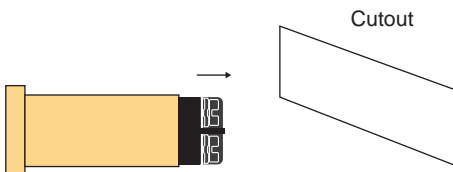
Panel Cutout Dimensions



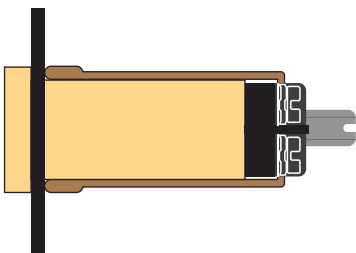
Steps 2 Remove the bracket screw and slide off the fastening bracket.



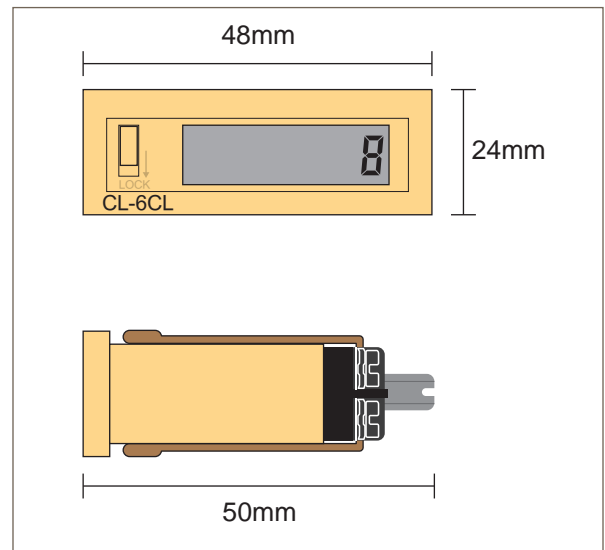
Steps 3 Insert the device into the cutout.



Steps 4 Slide the fastening bracket back onto the device and lock it into place with the bracket screw.



Dimensions



Wiring Diagram

